

Interface Kit Type H (B381)

Interface Kit Type H (B381)

PARTS CATALOG

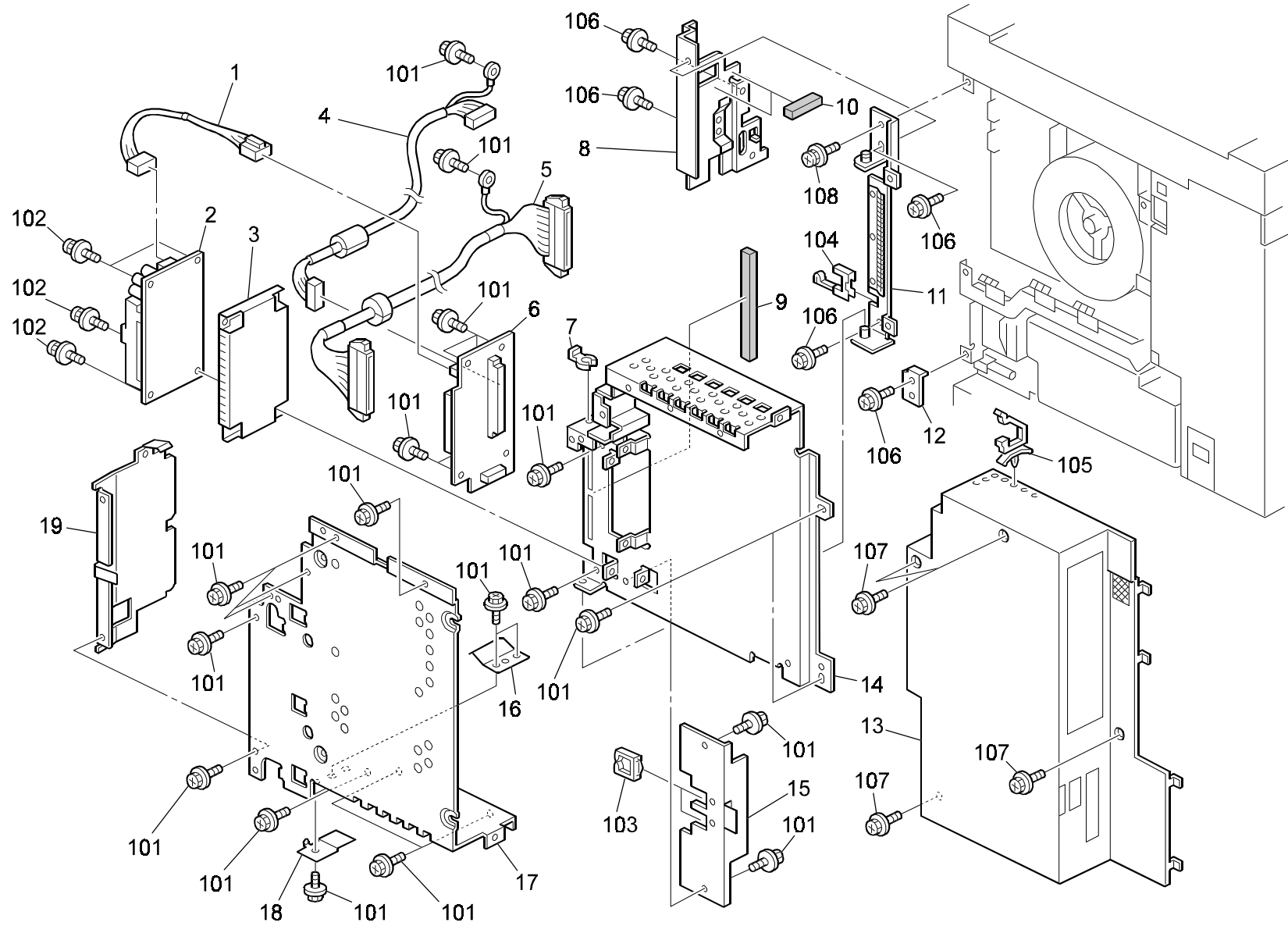
This catalog gives the numbers and names of parts on this machine.

CONTENTS

1.Interface Kit Type H (B381)	2
Parts Index	5

September ,10 ' 2000

1.Interface Kit Type H (B381)



1.Interface Kit Type H (B381)

Index No.	Part No.	Description	Q'ty Per Assembly
1	A848 5212	DC Power Supply Harness	1
2	A848 5300	Power Supply Unit - 120v	1
2	A848 5310	Power Supply Unit 230v 54w	1
3	A848 5848	Power Supply Unit Cover	1
4	B381 5220	I/F Harness - Main Board	1
5	B381 5217	Video I/F Harness	1
6	B381 5100	PCB Bussw	1
7	G011 1058	Snap Ring	1
8	A848 5860	Harness Shield Plate	1
9	A848 5877	Seal - Uc300286-165	1
10	A848 5864	Gasket- Uc300285 - 40	2
11	A848 1056	Interface Unit Bracket	1
12	B381 1051	Cover Lower Bracket	1
13	A848 1248	I/F Unit Cover	1
14	A848 5808	Upper Front Frame	1
15	A848 5866	Shielding Plate	1
16	A848 5878	Guide Plate	1
17	A848 5838	Upper Rear Frame	1
18	A848 5879	Grounding Plate	1
19	A848 5871	PSU Front Cover	1

Index No.	Part No.	Description	Q'ty Per Assembly
101	0451 3006B	Tapping Screw - M3x6	
102	0954 3006Z	Screw - M3X6	
103	1105 0352	Clamp	
104	1105 0518	Edge Saddle - Les-1010	
105	1105 0291	Harness Clamp - LWS-3S	
106	0451 4006B	Tapping Screw - 4x6	
107	0451 4006H	Tapping Screw - M4x6	
108	0954 4008Z	Double Sens Screw - M4x8	

Parts Index

Parts Index

Part No.	Description	Page and Index No.
B381 1051	Cover Lower Bracket	3- 12
B381 5100	PCB Bussw	3- 6
B381 5217	Video I/F Harness	3- 5
B381 5220	I/F Harness - Main Board	3- 4

Part No.	Description	Page and Index No.
B381 1051	Cover Lower Bracket	3- 12
B381 5100	PCB Bussw	3- 6
B381 5217	Video I/F Harness	3- 5
B381 5220	I/F Harness - Main Board	3- 4
G011 1058	Snap Ring	3- 7

Part No.	Description	Page and Index No.
A848 1056	Interface Unit Bracket	3- 11
A848 1248	I/F Unit Cover	3- 13
A848 5212	DC Power Supply Harness	3- 1
A848 5300	Power Supply Unit - 120v	3- 2
A848 5310	Power Supply Unit 230v 54w	3- 2
A848 5808	Upper Front Frame	3- 14
A848 5838	Upper Rear Frame	3- 17
A848 5848	Power Supply Unit Cover	3- 3
A848 5860	Harness Shield Plate	3- 8
A848 5864	Gasket- Uc300285 - 40	3- 10
A848 5866	Shielding Plate	3- 15
A848 5871	PSU Front Cover	3- 19
A848 5877	Seal - Uc300286-165	3- 9
A848 5878	Guide Plate	3- 16
A848 5879	Grounding Plate	3- 18

Part No.	Description	Page and Index No.
0451 3006B	Tapping Screw - M3x6	3-101
0451 4006B	Tapping Screw - 4x6	3-106
0451 4006H	Tapping Screw - M4x6	3-107
0954 3006Z	Screw - M3X6	3-102
0954 4008Z	Double Sens Screw - M4x8	3-108
1105 0291	Harness Clamp - LWS-3S	3-105
1105 0352	Clamp	3-103
1105 0518	Edge Saddle - Les-1010	3-104